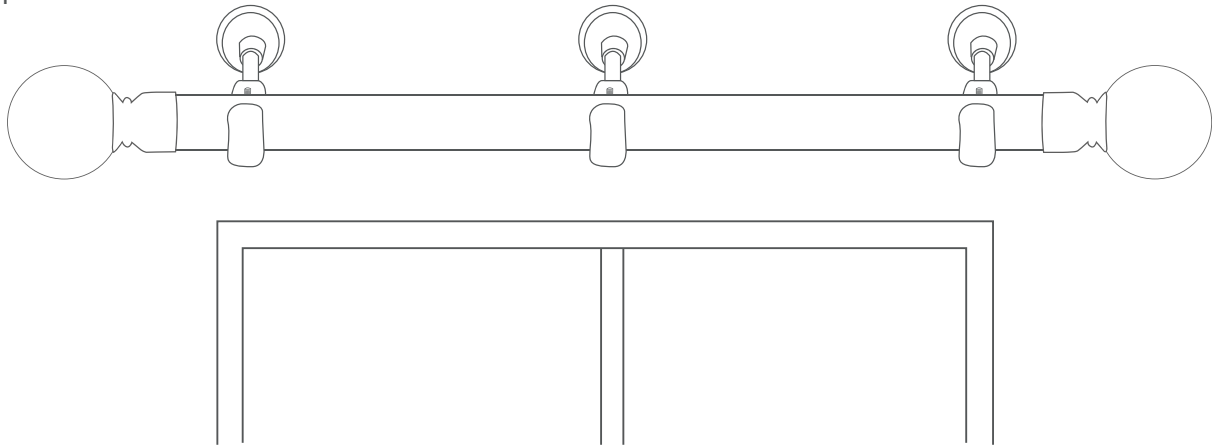


Decorative Rod Set

Preparation and Fixing Instructions

FIG. 1



Your pack should consist of the following components:

- 1x Extendable Decorative Rod Set**
- 2x Finials**
- 2-3x Brackets & Link Screws (depending on size)**
- 3x Locking Screws**
- 6x Screws & Plugs**

STEP 1 - Preparation

- Decide where you wish your decorative rod to be fixed (on-top of the architrave or on the architrave*)
- Identify your bracket type (see Fig.2)
- Remove the base plate by unscrewing it anti-clockwise
- Mark the positioning of the brackets making sure it is central to the window (see Fig. 1)

STEP 2 - Mounting

- Mount the base plate to the wall using the supplied screws. Use supplied wall plugs if mounting into hollow plaster board.
- Securely screw the base plate cover clockwise onto the mounted base plate
- Using the hex key, secure the projection arm to the base plate
- Repeat this process for each bracket

STEP 4 - Decorative Rod Placement

- Place decorative rod in the brackets and extend to the desired length
- Using the hex key, tighten the hex fastener to secure the rod in place

STEP 5 - Finials

- Fasten the finials
- Secure with grub screw where applicable

NB: If using curtain rings (sold separately), slide these onto the rod before securing the rod in place. Ensure that at least one ring is positioned between the bracket and finial at each end (see Fig. 3).

*If fitting above the architrave, install end brackets in-line with the vertical architrave

FIG. 2

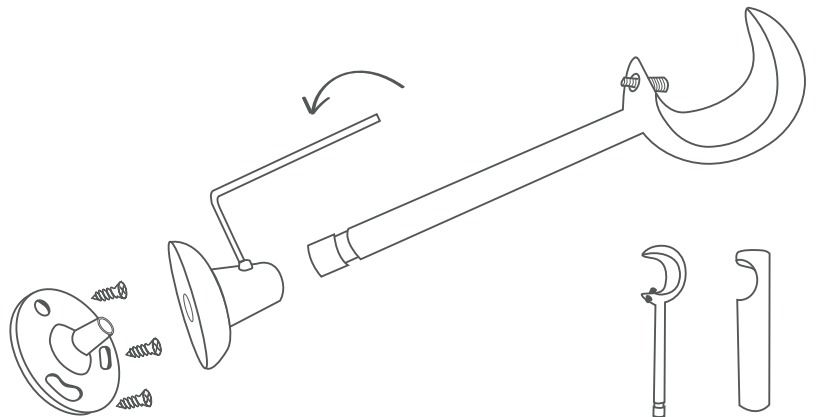


FIG. 3

