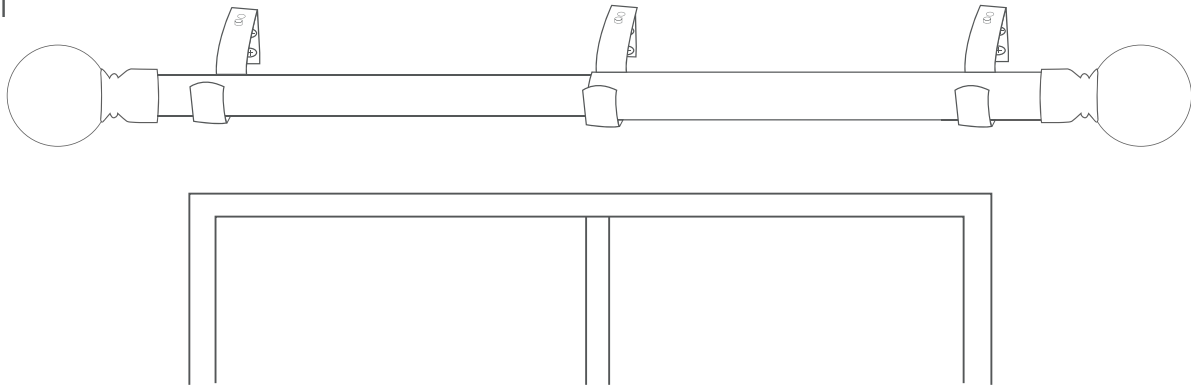


Decorative Rod Set

Preparation and Fixing Instructions

FIG. 1



Your pack should consist of the following components:

- 1x Extendable Decorative Rod Set**
- 2x Finials**
- 2-3x Brackets & Link Screws (depending on size)**
- 3x Locking Screws**
- 6x Screws & Plugs**

STEP 1 - Preparation

- Decide where you wish your decorative rod to be fixed (on-top of the architrave or on the architrave*)
- Mark the positioning of the brackets making sure it is central to the window (see Fig. 1)

STEP 2 - Mounting

- Mount the bracket to the wall using the supplied screws. Use supplied wall plugs if mounting into hollow plaster board.
- Repeat this process for each bracket

STEP 4 - Decorative Rod Placement

- Place decorative rod in the brackets and extend to the desired length
- Tighten the grub screw to secure the rod in place

STEP 5 - Finials

Fasten the finials

- Secure with grub screw where applicable

NB: If using curtain rings (sold separately), slide these onto the rod before securing the rod in place. Ensure that at least one ring is positioned between the bracket and finial at each end (see Fig. 3).

*If fitting above the architrave, install end brackets in-line with the vertical architrave

FIG. 2

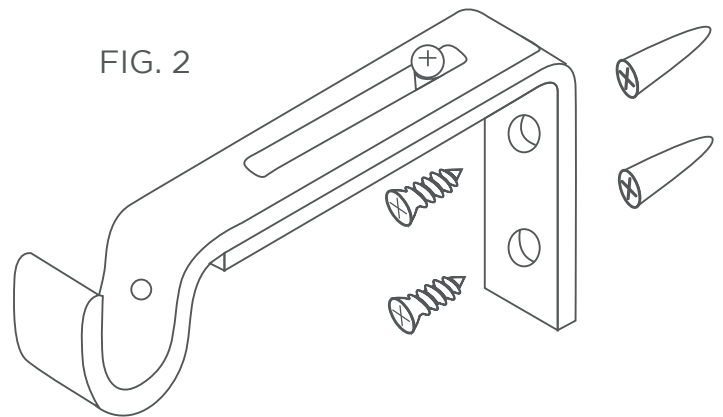


FIG. 3

